



DENTAL | EPAG-SMART

EPAG-SMART THE SOLUTION FOR DENTAL LABORATORIES

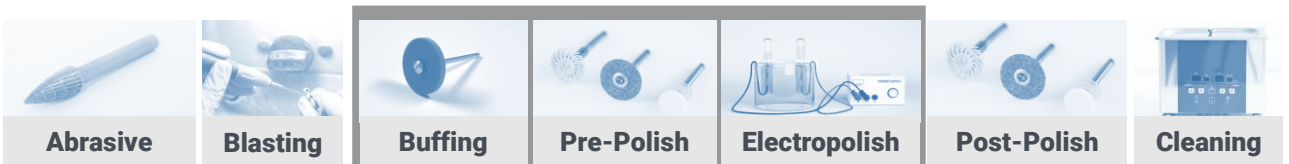
The compact electropolishing machine **EPAG-Smart T** from OTEC enables perfectly smooths and polishes dental parts in just one step. The EPAG-Smart removes the smallest of scratch marks and waviness in a repeatable process without compromising tolerances or geometries.

EPAG-SMART: BENEFITS AT A GLANCE

- Homogeneous processing even on geometries that are difficult to access
- No deformation because of the single part processing
- Automation reduces processing work by up to 50%
- No compromise on tolerances or geometries
- Repeatable processes



THREE STEPS IN JUST ONE PROCESS



EPAG-SMART PROCESS

3 in 1

Capacity: 2 parts/process


Process time: 20 min

Cost per part: ~1€/part




DENTAL | EPAG-SMART


ERGONOMIC HANDLING




405 x 575 x 605 mm




230 V



Compact




Low noise




Intuitiv


EFFICIENT PROCESSING




Modular



2 Workpieces



20 min process time



3 in 1
Process steps

INDUSTRY 4.0



Interoperability



Remote Diagnosis



LAN



Web GUI

INVESTMENT CALCULATION



Break Even after 1,270 parts
Invest: **12,700 €**
Process costs: **1 €/parts**
Manual polishing: **11€/parts**



Return on Invest after 254 days
$$\frac{1,270 \text{ parts}}{5 \text{ parts/day}}$$

CONTACT DENTAL



Luis Schumacher (M.Eng.)
+ 49 (0) 70 82 - 49 11 20
l.schumacher@otec.de



OTEC Präzisionsfinish GmbH
Heinrich-Hertz-Straße 24
75334 Straubenhardt, Germany